

# Typ 711



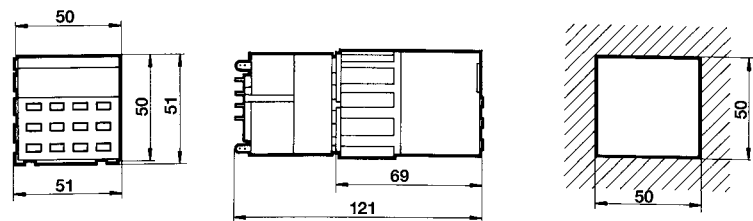
## TECHNICAL DATA

- For electronic preset counters type 711 and 781.4
- With integrated connection box

Supply voltage $V_{Op}$	110 or 220 VAC, depending on version
Electrical connection	AMP connector 0.8 x 2.8 mm
Mounting	modular system 400
Mounting position	any
Protection class (IEC 144)	IP 00
General design	acc. to DIN VDE 0411

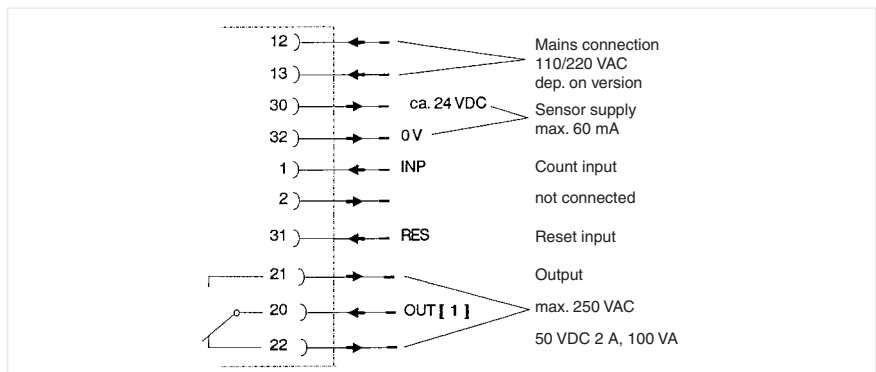
Output	
Sensor supply	24 VDC, max. 60 mA

## DIMENSIONED DRAWING Counter with power supply unit



Dimensions in mm

## CONNECTION DIAGRAM



## ORDER INFORMATION

Version	110 VAC	220 VAC
Power supply unit	1 711 011	1 711 010

Note: If this module is used, the counter no longer requires a separate connection box.