

Totalizing Counters „mini-i“ Type 634/635



TYPE VERSIONS

TECHNICAL DATA

- Miniature size
- Low power consumption
- Electrical connections in standard grid
- Suitable for PCB mounting
- Machine-solderable and washable versions available
- Protection class IP 65

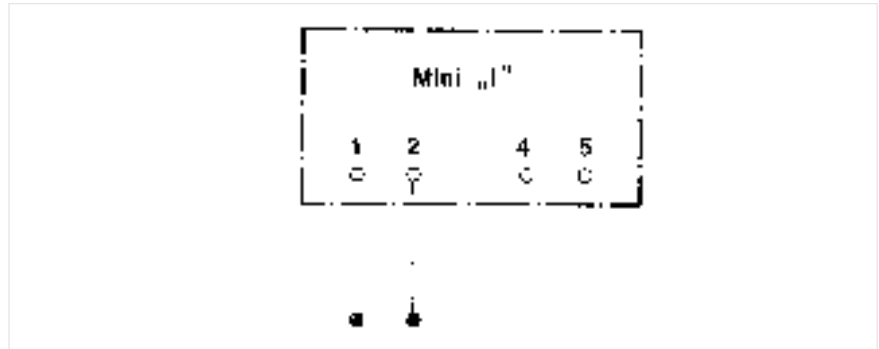
Type 634: Counter with high immunity against magnetic interference.
 Type 635: Counter with high shock stability.

Display	6-digit	
Digit height	4 mm, visual	
Supply voltage V_{op}	according to order information, tolerance $\pm 10\%$	
Power consumption	Type 634: approx. 50 mW ... 440 mW according Version Type 635: 5...12 VDC 80 mW 24 VDC 160 mW	
Operating temperature	- 10 ... + 50 °C	
Storage temperature	- 40 ... + 85 °C	
El. connection	Versions .1 and .3 with solder pins, .7 and .8 with wiring posts $\varnothing 0.6$ mm, cable length < 30 m	
Mounting	Versions .1 and .3 on PCB's, .7 with wiring posts, .8 with locating spring	
Mounting position	horizontal	
Protection class (EN 60529)	Type .1 and .3	IP 65 Housing, IP 00 Connections
	Type .7 and .8	IP 66 Front, IP 00 Connections
	Type 8	IP 40 Front in Frontpanel
Vibro stability	Type 634: 20 m/s ² (10...500 Hz) acc. to IEC 068-2-6 Type 635: 30 m/s ² (10...500 Hz) acc. to IEC 068-2-6	
Shock stability	Type 634: 2000 m/s ² acc. to IEC 068-2-27 Type 635: 3500 m/s ² acc. to IEC 068-2-27	
General design	according EN 61010-1	
Contamination Level	2	
Protection	according to class II	
Overvoltage category	II	
Susceptibility to magnetic interference	Type 634 at 100 kA/m (PTB) no effect	
Maintenance-free operation	10 million pulses	
Duty cycle at 25 °C	100 %	
Weight	approx. 10 g	
Pulse length min.	50 ms	
Counting frequency max.	10 Hz	
Reset	none	

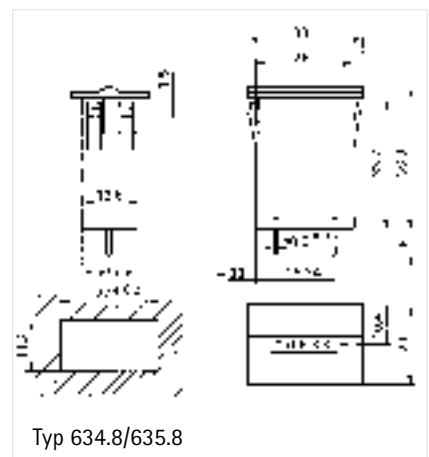
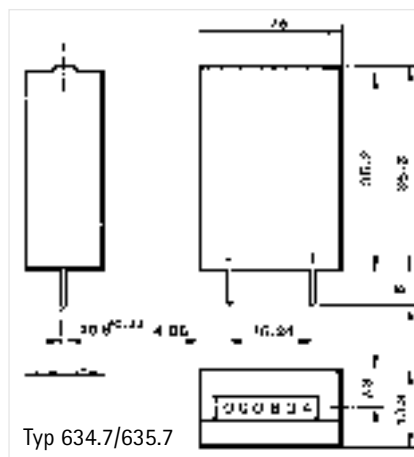
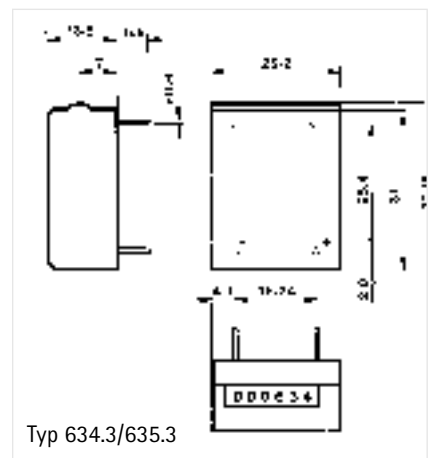
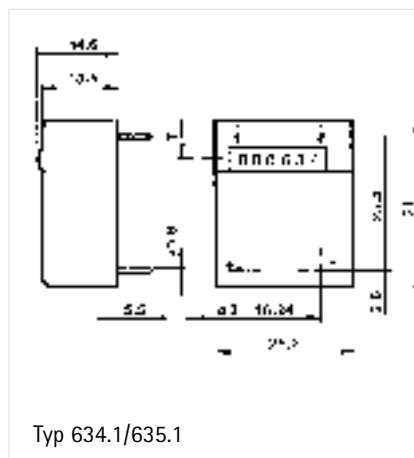
Type 634/635

Technical data

CONNECTION DIAGRAM



DIMENSIONS



Dimensions in mm

Technical data

Type 634/635

ORDER INFORMATION



Type 634

		634.1	634.3	634.7	634.8
Voltage	Ω	Ordering code	Ordering code	Ordering code	Ordering code
5 VDC	335	0 634 132	0 634 332	0 634 712	0 634 812
12 VDC	335 + RV 330 Ω^1	0 634 128	0 634 328	0 634 708	0 634 808
24 VDC	335 + RV 1K Ω^1	0 634 130	0 634 330	0 634 710	0 634 810

Type 634

		635.1	635.3	635.7	635.8
Voltage	Ω	Ordering code	Ordering code	Ordering code	Ordering code
5 VDC	320	0 635 132	0 635 332	0 635 712*	0 635 812
12 VDC	1860	0 635 128	0 635 328*	0 635 708	0 635 808
24 VDC	3720	0 635 130	0 635 330	0 635 710	0 635 810
Connection leads 150 mm			red	1 634 008	1 634 008
			black	1 634 007	1 634 007

* on request

Inquire for optional mounting position and further voltages
1 RV internal