

## Type 446/447



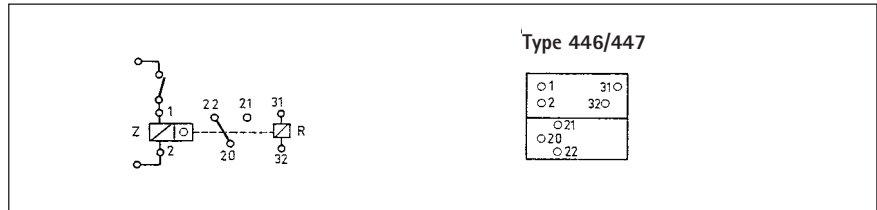
### TECHNICAL DATA

## Subtracting Preset Counter, Plug-in System

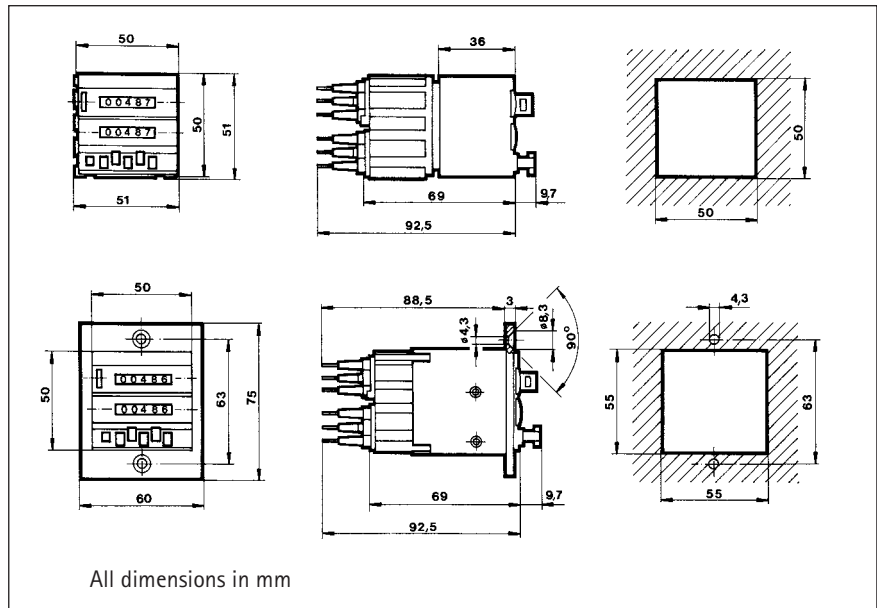
- Manual or electrical reset
- 3 or 5-digit display
- Plugs into modular system 400

Display	3 or 5-digit count and preset value indication, depending on version.
Digit height	4 mm
Supply voltage $V_{op}$	see ordering code table, tolerance $\pm 10\%$ 230 VAC + 6–10 %
Power consumption	counter: DC version 2.5 W, AC version 2.75 VA reset solenoid: DC version 12 W, AC version 16 VA
Residual ripple	48 %
Operating temperature	– 10 ... + 50 °C
Storage temperature	– 40 ... + 85 °C
El. connection	AMP connector, 0.8 x 2.8 mm (via connection box)
Mounting	modular system 400
Mounting position	roller axis horizontal
Protection class (EN 60529)	front IP 40; connections IP 00; for higher degree of protection we recommend a protective case with clear cover (see "Accessories")
General design	DIN EN 61010-1 Protection according to class II Contamination level 2 Over voltage category II
Duty cycle at 25 °C	counter 100 %; reset solenoid: DC version 20 %, max. 2 minutes, AC versions 10 %, max. 1 minute
Maintenance-free operation	counter $2 \times 10^8$ , reset solenoid $1.5 \times 10^6$ pulses
Approvals	UL: E 41 784-11
Count input	subtracting
Min. pulse length	DC version 20 ms, AC version 50 ms
Max. counting frequency	DC version 25 Hz, AC version 10 Hz
Pulse duty factor	1:1
Reset	– manual with button – external by electrical signal (versions with reset solenoid only), Min. pulse length 200 ms (max. see duty cycle); for longer reset pulses a continuous duty module must be used (see "Order information" and "Accessory modules") – automatic reset after preset has been reached (versions with reset solenoid only), using the automatic reset (see "Order information" and "Accessory modules")
Reset frequency	DC version max. 1 per s, AC version max. 1 per 2 s
Pulse duty factor	DC version 1:5, AC version 1:10
Signal output	
Signal duration	from when preset has been reached until reset
Contact type	changeover contact, floating
Switching voltage	max. 220 VAC
Switching current	max. 20 VA/1 A, non-inductive

## CONNECTION DIAGRAM



## DIMENSIONS With connection box



## With connection box and panel frame

## ORDER INFORMATION

Voltage	3 digits		5 digits		**	**
	button reset	el. reset	button reset	el. reset	cont. duty module	automatic reset
24 V DC	0 447 164	0 447 764	0 446 164	0 446 764	1 486 420	1 486 402
24 V AC	0 447 186	0 447 786	0 446 186	0 446 786	1 486 423	1 486 409
115 V AC	0 447 189	0 447 789	0 446 189	0 446 789	1 486 421	1 486 412
230 V AC	0 447 190	0 447 790	0 446 190	0 446 790	1 486 422	1 486 413

## Standard accessories

Connection box	1 405 537
Panel frame, black	1 405 492
Key-reset system	Ordering code+ SR e.g. 0 447 164 SR

For further accessories see "Accessories".

Inquire for other voltages

\*\* For technical data and dimensioned drawings see "accessory modules"  
Use only counters with electrical reset.  
The connection box is integrated in the module.