

Economy Types



- Replacement for type RIM
- Economical miniature encoder
- Up to 14 400 steps with 3 600 pulses
- High mechanical efficiency
- Application e.g.
 - wood working machines
 - FHP motors
 - graphic machines
 - table robots

NUMBER OF PULSES

5 / 10 / 20 / 25 / 28 / 32 / 50 / 60 / 72 / 100 / 128 / 144 / 200 / 250 / 256 / 288 / 300 / 360 / 400 / 500 / 512 / 600 / 720 / 900 / 1000 / 1024 / 1250 / 1500 / 2000 / 2048 / 2500 / 3000 / 3600
 Other number of pulses on request

TECHNICAL DATA
mechanical

Shaft diameter	6 mm
Absolute max. shaft load	radial 10 N, axial 5 N
Absolute max. speed	10 000 min ⁻¹
Torque	≤ 0.2 Ncm
Protection class (EN 60529)	Housing IP50, bearings IP40
Operating temperature	-10 ... +70 °C
Storage temperature	-25 ... +85 °C
Vibration resistance (IEC 68-2-6)	100 m/s ² (10 ... 2000 Hz)
Shock resistance (IEC 68-2-27)	1000 m/s ² (6 ms)
Connection	1.5 m cable, radial ¹
Housing	Aluminium
Flange	Pilot flange
Weight approx.	60 g

¹ Other cable length on request

TECHNICAL DATA
electrical

General design	as per DIN VDE 0160, protection class III, contamination level 2, overvoltage class II
Supply voltage (SELV)	with push-pull (D): DC 5 V ±10 % with push-pull (K): DC 5 V ² ±0 % oder DC 10 - 30 V ²
Max. current w/o load	40 mA (DC 5 V), 60 mA (DC 10 V), 30 mA (DC 24 V)
Standard output versions ³	push-pull (K, D): A, B, N, \overline{A} alarm

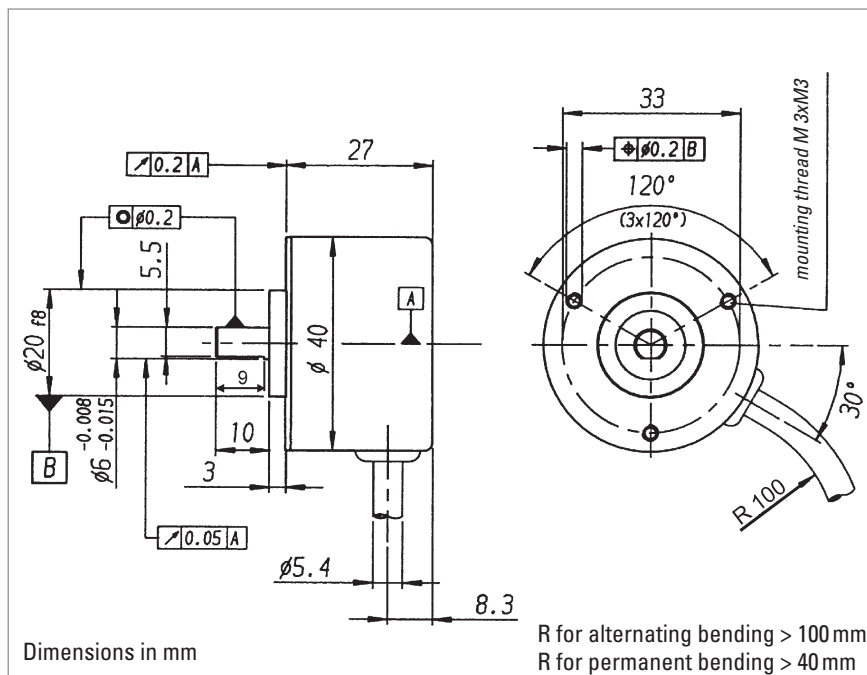
² Pole protection

³ Output description and technical data see chapter "Technical basics"

Incremental Shaft Encoders Type RI 41

Economy Types

DIMENSIONAL DRAWINGS



PIN ASSIGNMENT

Description (push-pull)	Lead \varnothing mm ²	Colour
DC 5 V/10 - 30 V	0.5	red
Channel A	0.14	white
Channel B	0.14	green
Channel N	0.14	yellow
GND	0.5	black
Alarm	0.14	yellow/black
screen ¹		screen ¹

¹ not connected with encoder housing

ORDERING INFORMATION

Type	Model	Number of pulses	Supply voltage	Flange, Protection, Shaft	Output	Connection
<input type="checkbox"/>	<input type="checkbox"/>	<input type="text"/>	<input type="checkbox"/>	<input type="text"/>	<input type="checkbox"/>	<input type="checkbox"/>
RI41-	O Standard	5 ... 3600	A DC 5 V E DC 10 - 30 V ¹	R.11 Pilot, IP40, 6 mm	K push-pull ² short circuit proof D push-pull DC 5 V, ± 30 mA	B Cable radial

¹ only with output K
² ± 10 mA at DC 5 V, ± 30 mA at DC 10 - 30 V